

Bluff Kiosks

Spring Timber Framing Bluff Kiosks

Drawn By: Chris Landingin + Paul Denison
Revision Date: 03.24.2023



Joinery Notes

General - All joinery housed 1/2" unless otherwise noted

Posts & Postlets

Kiosk A & B

- Post top and bottom tenons are 4" long and laid 2-1/2", 1-1/2"
- 13/16" peg is laid out 1-1/2" from shoulder and nominally centered on the width of tenon
- Posts are reduced 1/2" in accordance with square rule, EXCEPT post to sill connection in Kiosk B, map housing

Tie Beams

Kiosk A & B

- 7" long through tenon
- [2] 13/16" pegs are laid out 1-1/2" from shoulder and 2" and 4" from reference
- Tie beams reduced 1/2" in accordance with square rule

Truss Tie, Kiosk A

- Tenon is laid out similar to brace with shoulder, nose, and, heel 1-1/2", 1-1/2"; shoulder and heel laid at 6:12
- 13/16" peg is laid out 1-1/2" from shoulder and 2" and 4" from heel

Braces, Kiosk B

Down braces

- 3:4:5 triangles; 45" nose to nose
- 13/16" peg is laid out 1 1/2" from shoulder and 2" from heel
- 2-5/8" bare face tenon laid 1-1/2", 1-1/2"

Up Braces

- Post tenon is laid as 3:4:5 triangle
- Rafter tenon is laid to meet the rafter angle, see brace detail page
- 13/16" peg is laid out 1-1/2" from shoulder and 2" from heel
- 2-5/8" bare face tenon laid 1-1/2", 1-1/2"

Rafters

Kiosk A

- Fork at peak are 6" long parallel to shoulder and laid 2-1/2", 1-1/2"
- 13/16" peg is laid out 3" from shoulder and nominally centered on the width of tenon

Purlins

Kiosk A & B

- Notch 1" depth
- Map to find true notch lengths

Bench

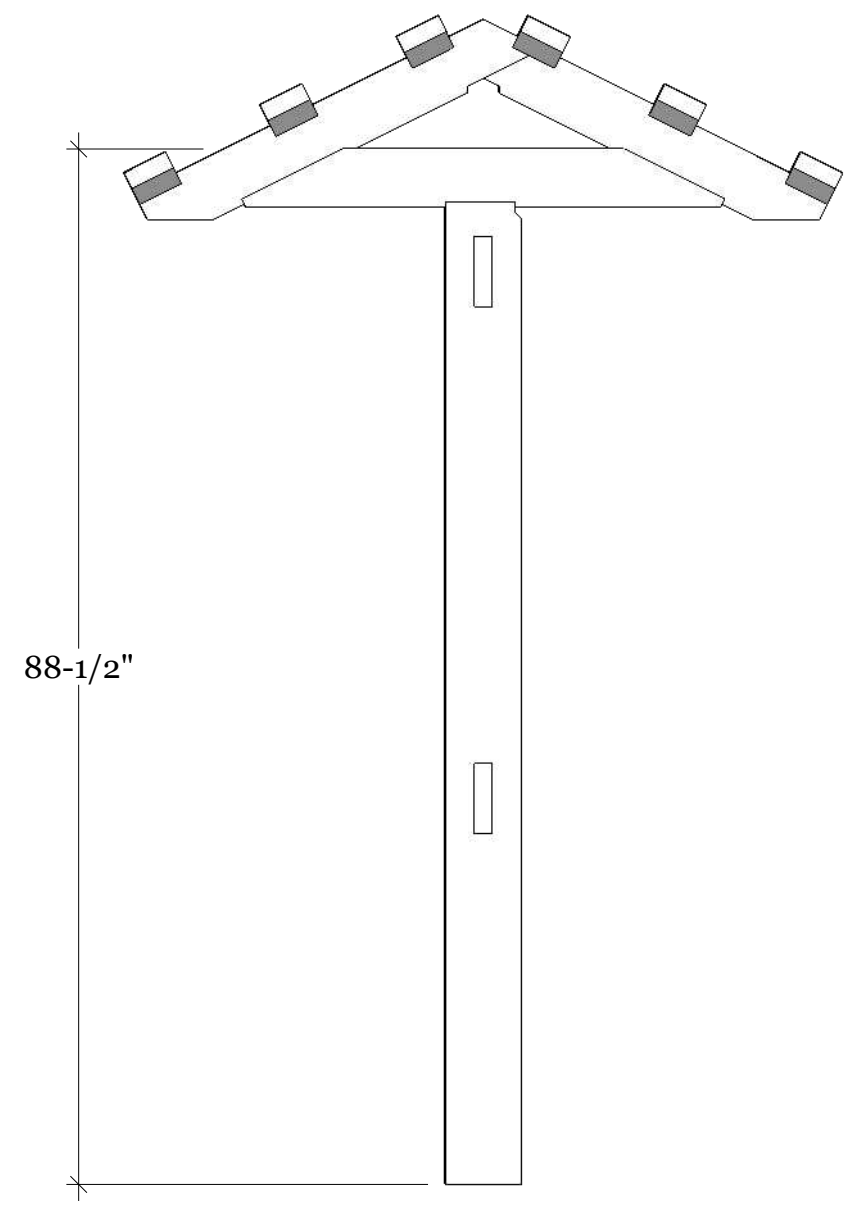
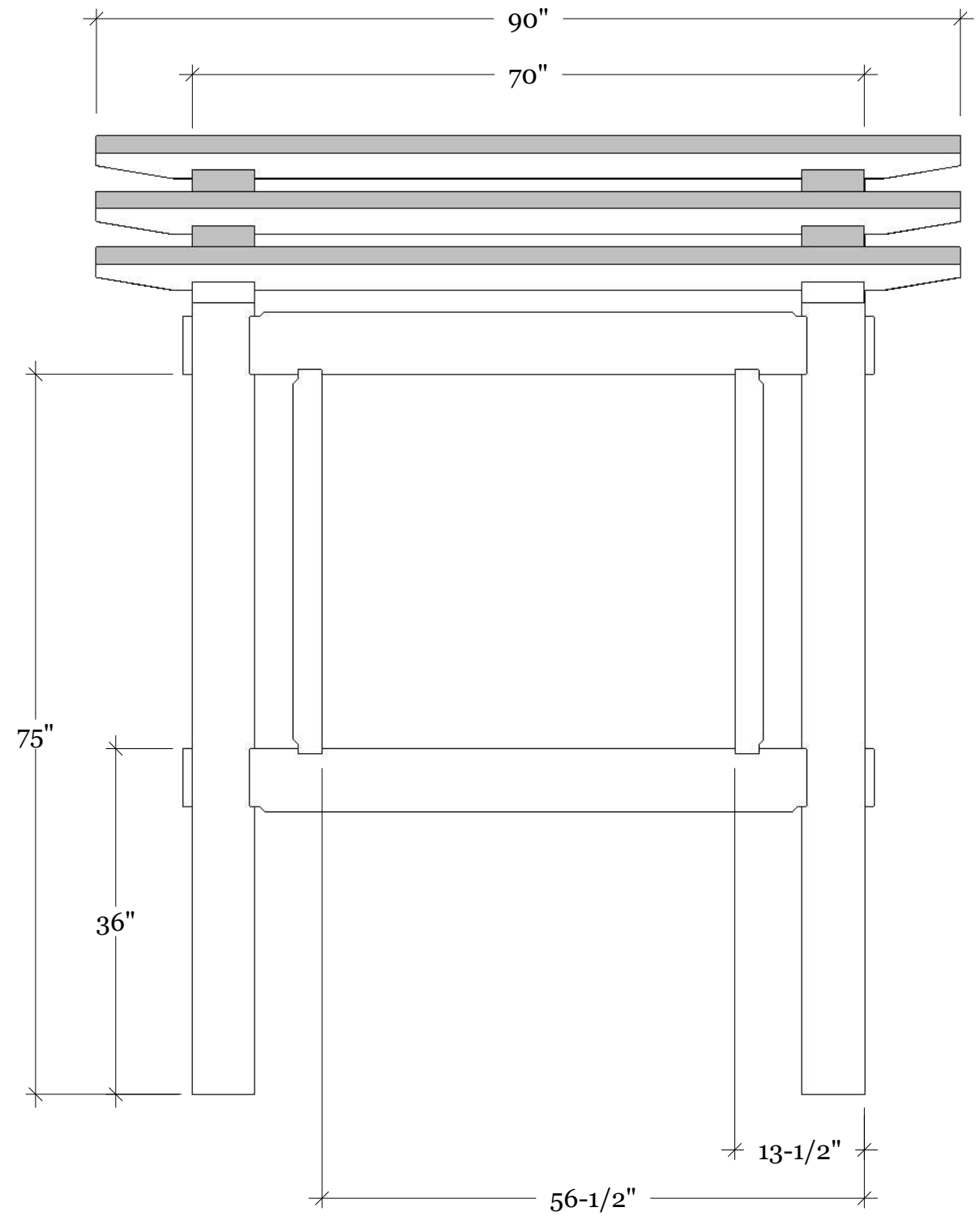
- Bench is housed nominally 1" into both the posts and the braces
- Map for live-edge

Kiosk A

	Label	#	Width (in.)	Depth (in.)	Rough Length (ft)
<i>Posts</i>	A.P1 ; A.P2	2	6.5	6.5	8
<i>Tie Beams</i>	A.TB1 ; A.TB2	2	6.5	6.5	6
<i>Truss Ties</i>	A.TT1 ; A.TT2	2	5	6.5	5
<i>Principal Rafter</i>	A.R1 ; A.R2	4	5	6.5	5
<i>Purlin</i>	A.Pr1 ; A.Pr2	6	3	4	8
<i>Postlets</i>	A.Pt1 ; P.Pt2	2	3	6.5	5

Kiosk B

	Label	#	Width (in.)	Depth (in.)	Rough Length (ft)
<i>Posts</i>	B.P1 ; B.P2	2	6.5	6.5	8
<i>Tie Beams</i>	B.TT1 ; B.TT2	2	6.5	6.5	8
<i>Sills</i>	B.S1 ; B.S2	2	6.5	6.5	6
<i>Principal Rafters</i>	B.R1 ; B.R2	2	6.5	6.5	8
<i>Down Braces</i>	B.1R.D ; B.1L.D etc.	4	3	6	5
<i>Up Braces (Front)</i>	B.1L.U ; B.2R.U	2	3	6	5
<i>Up Braces (Back)</i>	B.1R.U ; B.2L.U	2	3	6	4
<i>Purlins</i>	B.Pr1 ; B.Pr2 etc.	5	4	5	10
<i>Postlets</i>	B.Pt1 ; B.Pt2	2	3	6.5	5
<i>Slab</i>	S	1	3	16	8
<i>Slab Posts</i>	Sp	2	4	4	4

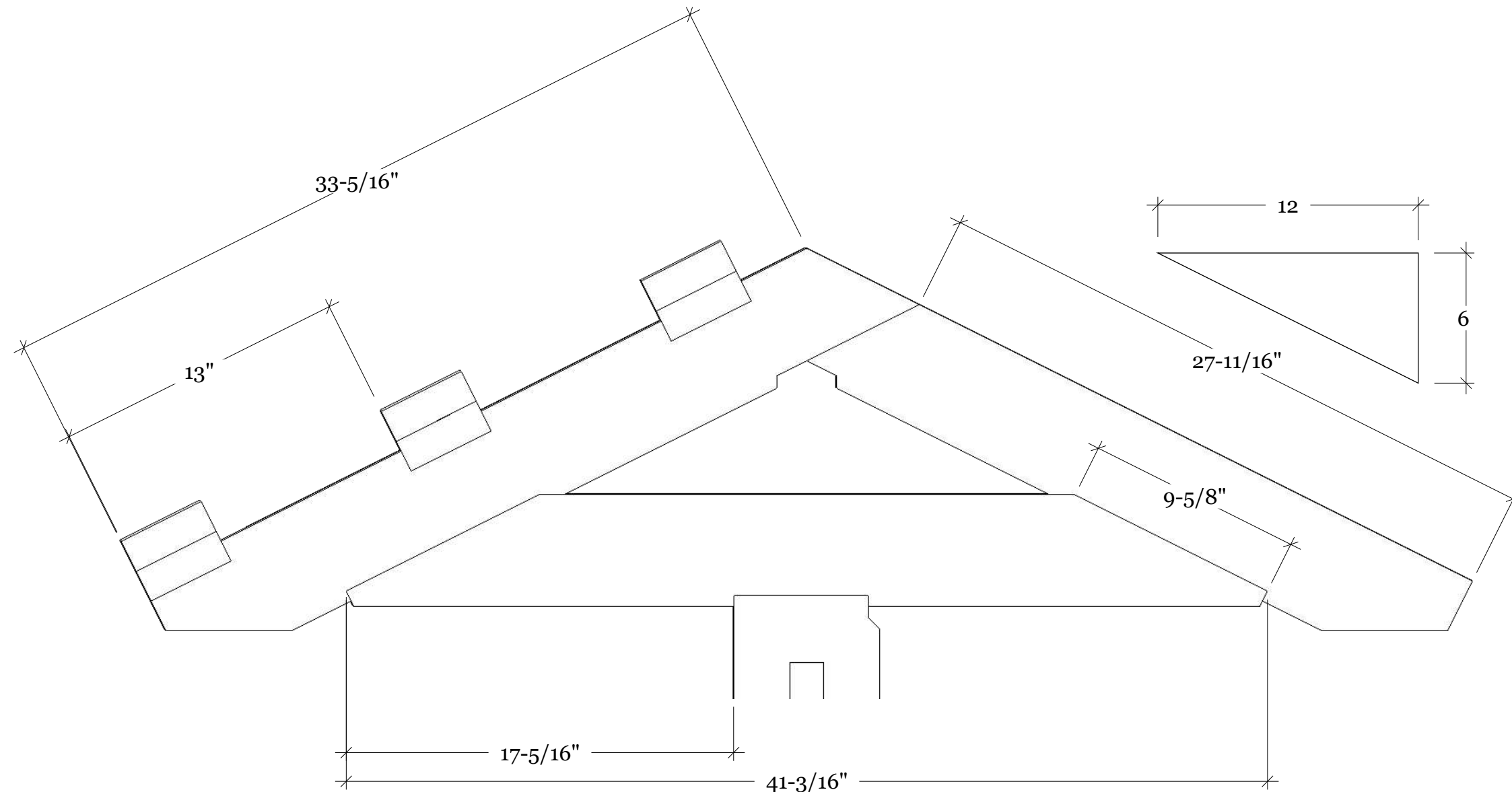


**Kiosk A Front & Side
Elevation**

Spring Timber Framing
Bluff Kiosks

Drawn By: Chris Landingin + Paul Denison
Revision Date: 03.24.2023



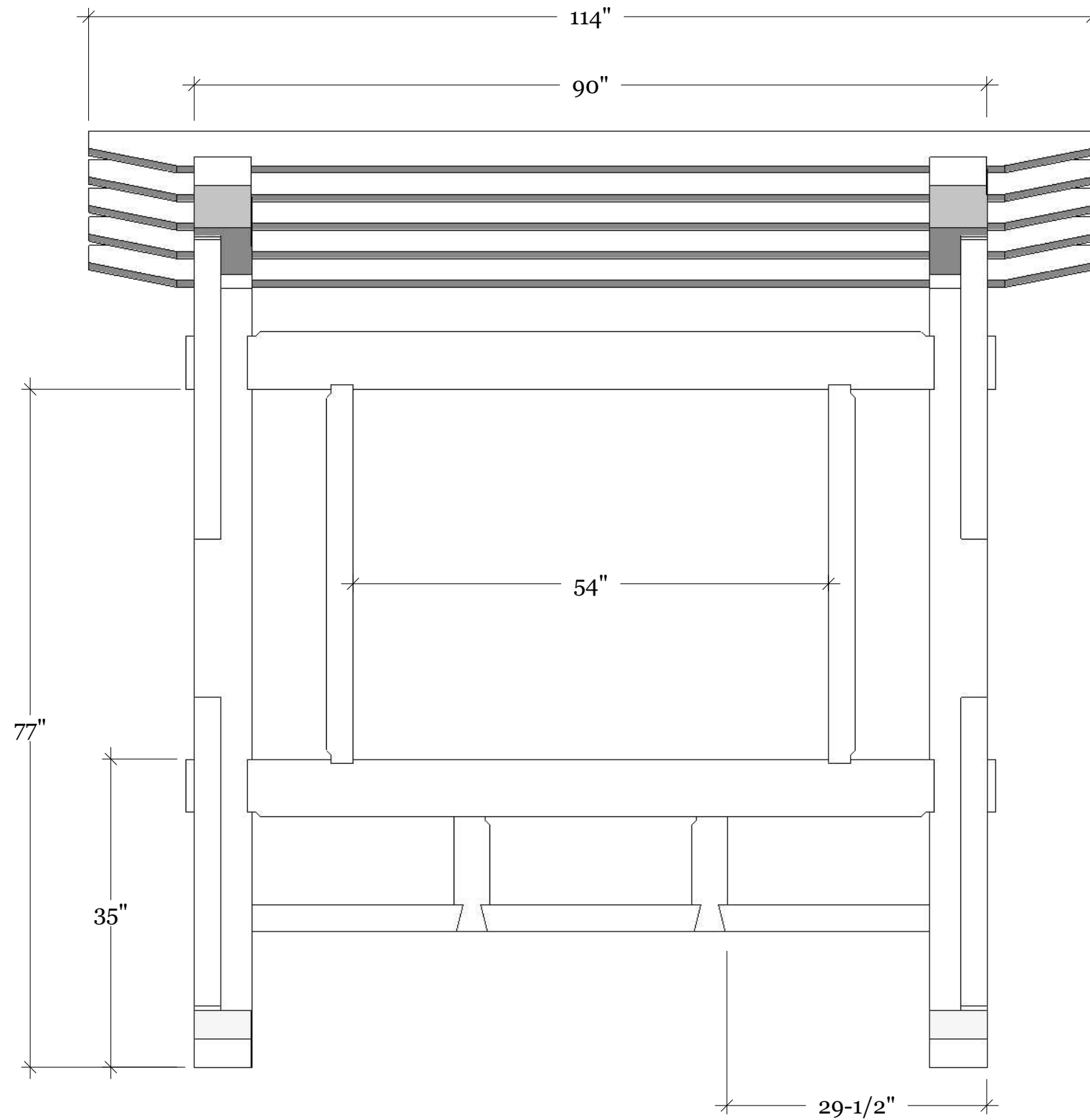


Kiosk A Truss Details

Spring Timber Framing
Bluff Kiosks

Drawn By: Chris Landingin + Paul Denison
Revision Date: 03.24.2023



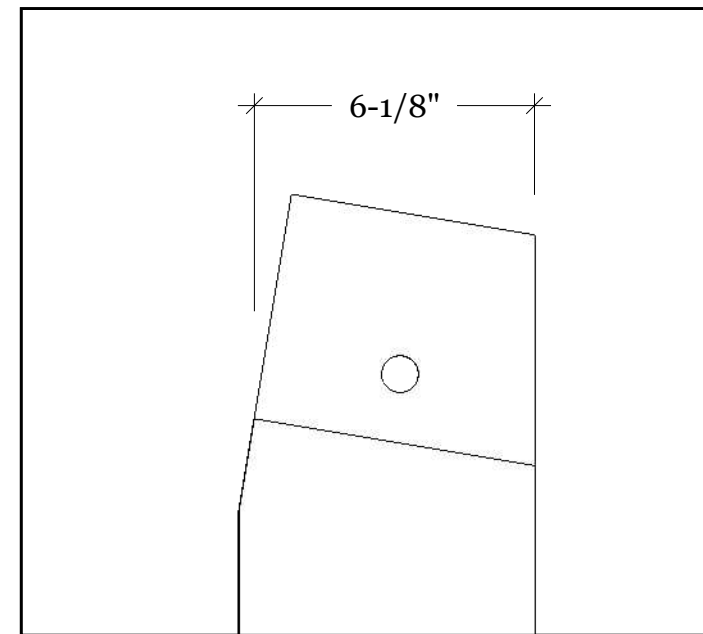
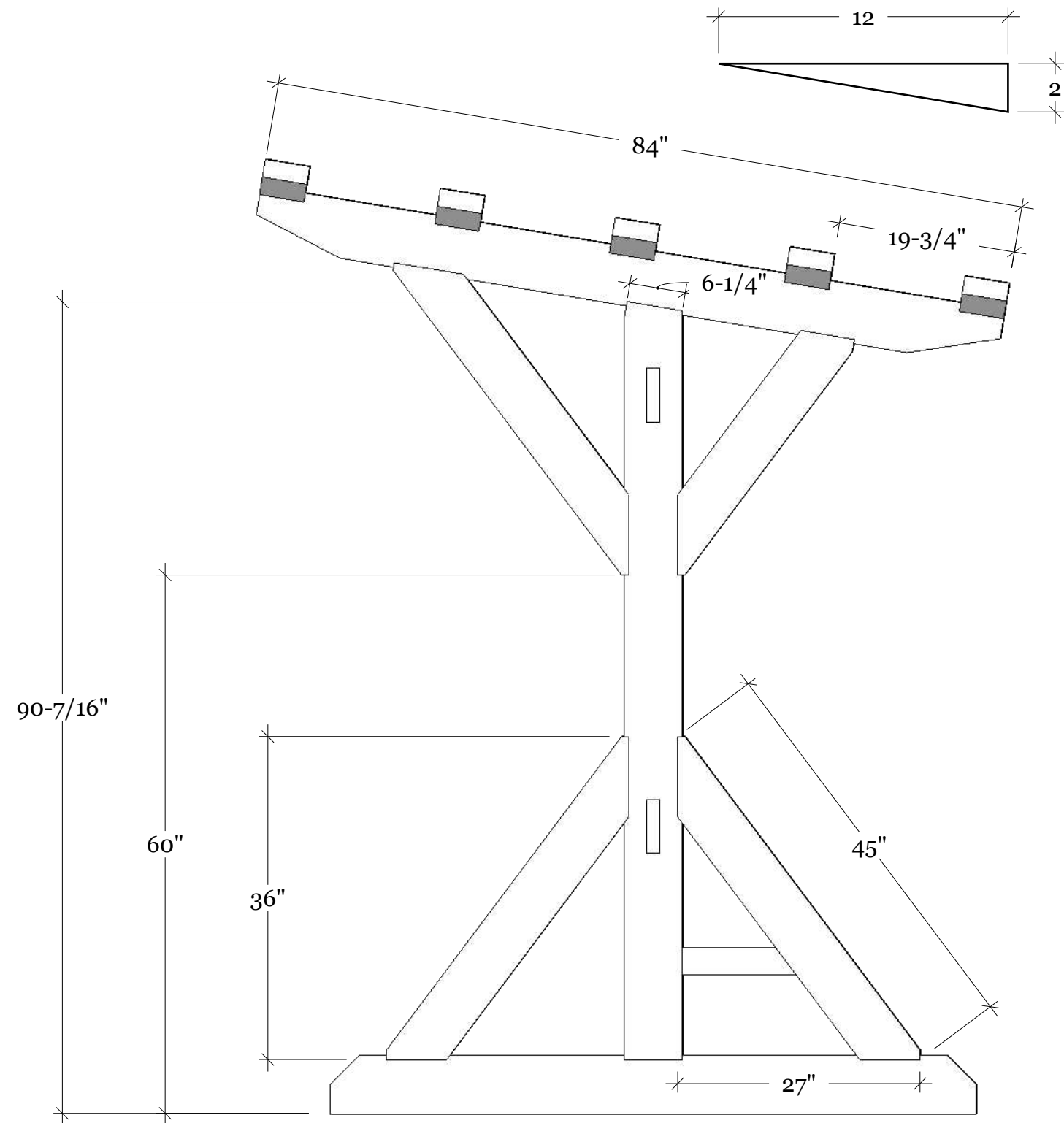


Kiosk B Front Elevation

Spring Timber Framing
Bluff Kiosks

Drawn By: Chris Landingin + Paul Denison
Revision Date: 03.24.2023





Post Top Tenon

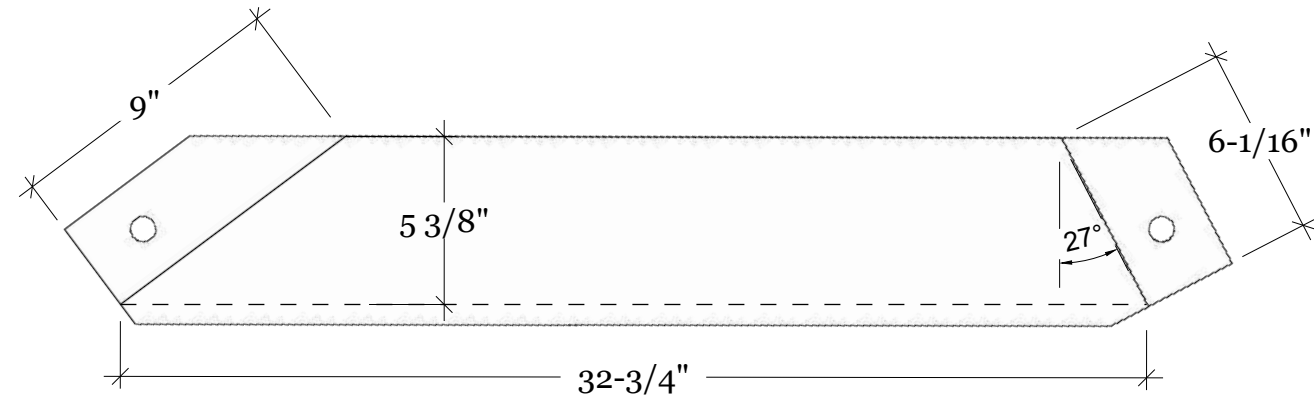
NOTE: Post B.P2 shown; B.P1 is a mirror image

Kiosk B Side Elevation

Spring Timber Framing Bluff Kiosks

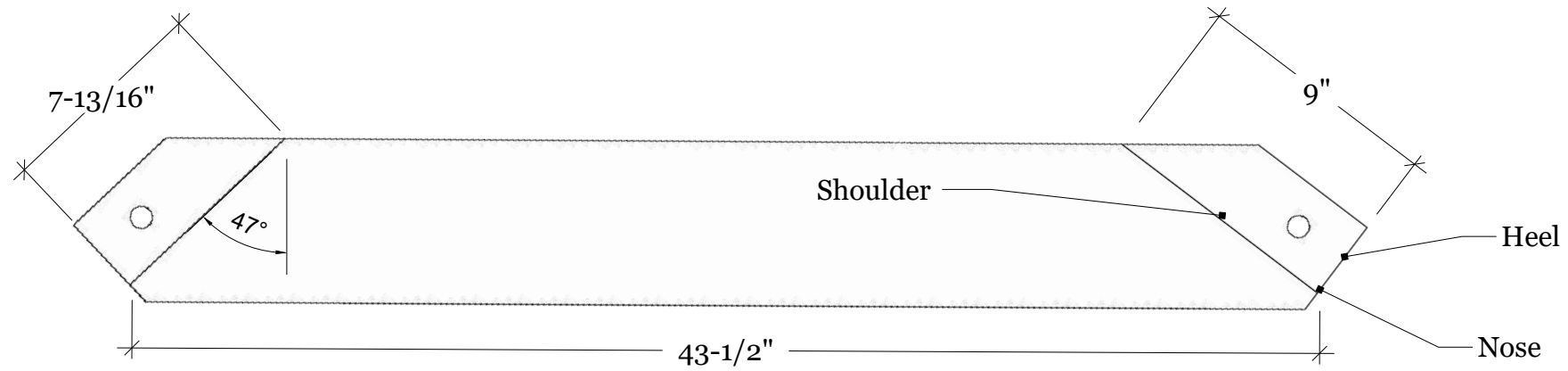
Drawn By: Chris Landingin + Paul Denison
Revision Date: 03.24.2023



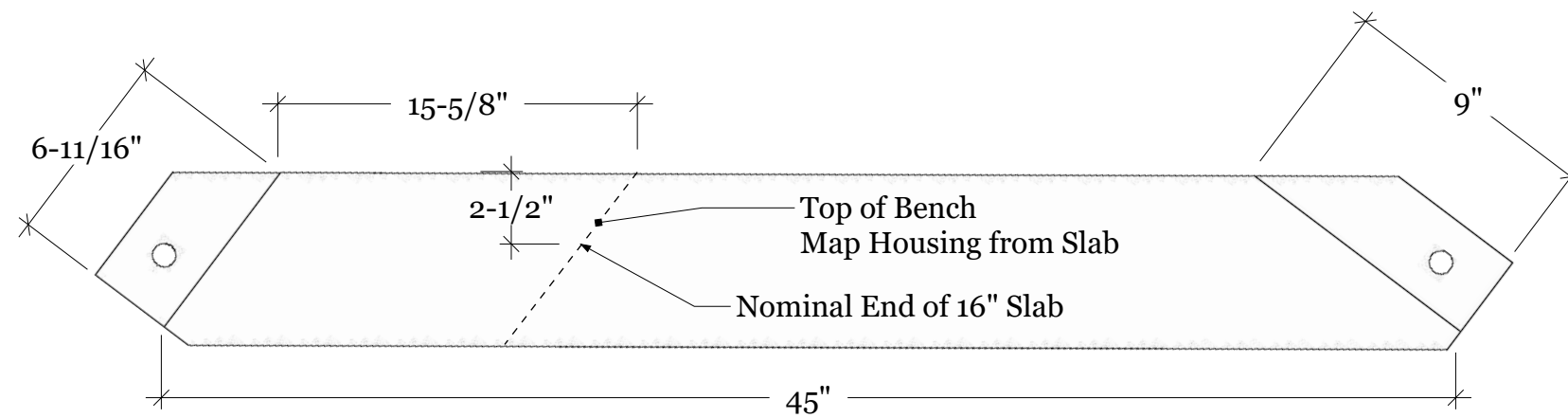


Up Brace - Back (Right Hand Shown)

NOTE: Brace shoulders are 3:4:5 unless noted



Up Brace - Front (Left Hand Shown)



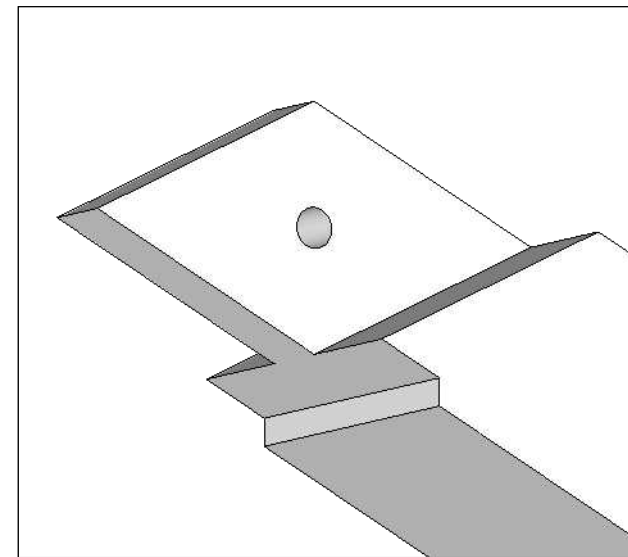
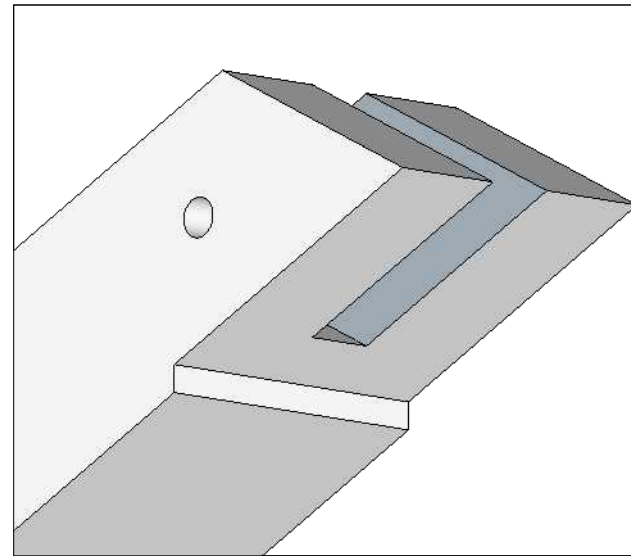
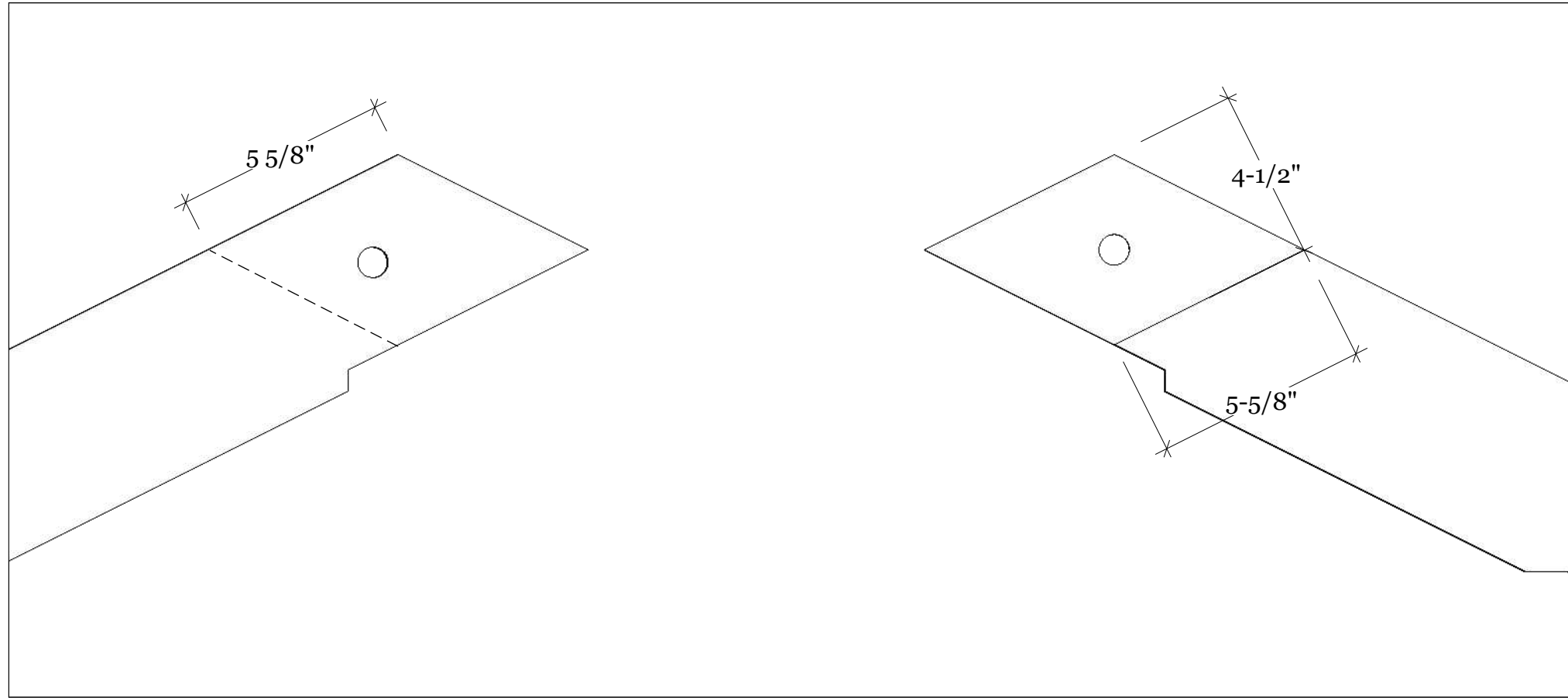
Down Brace Back (Right Hand Shown)

Brace Details

Spring Timber Framing Bluff Kiosks

Drawn By: Chris Landingin + Paul Denison
Revision Date: 03.24.2023



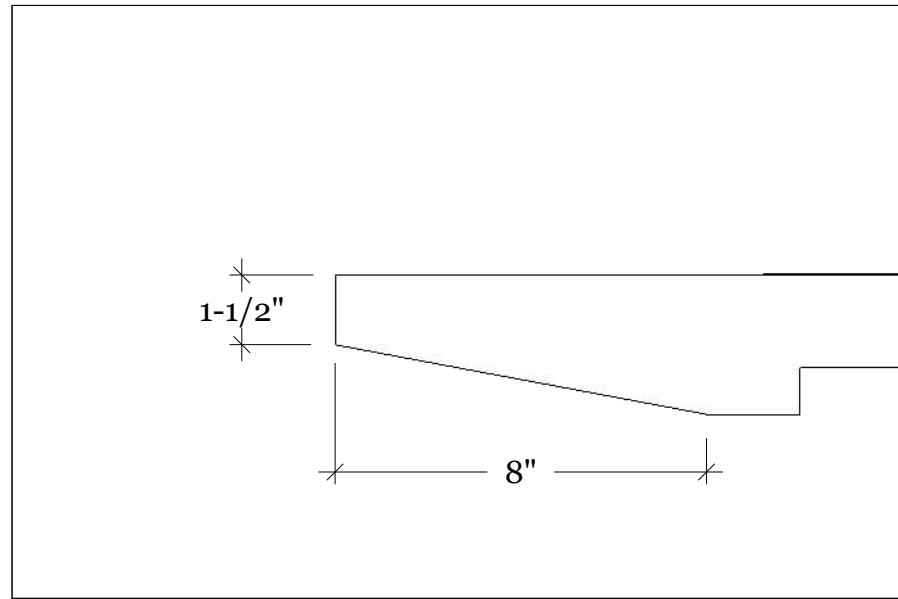


Rafter Details

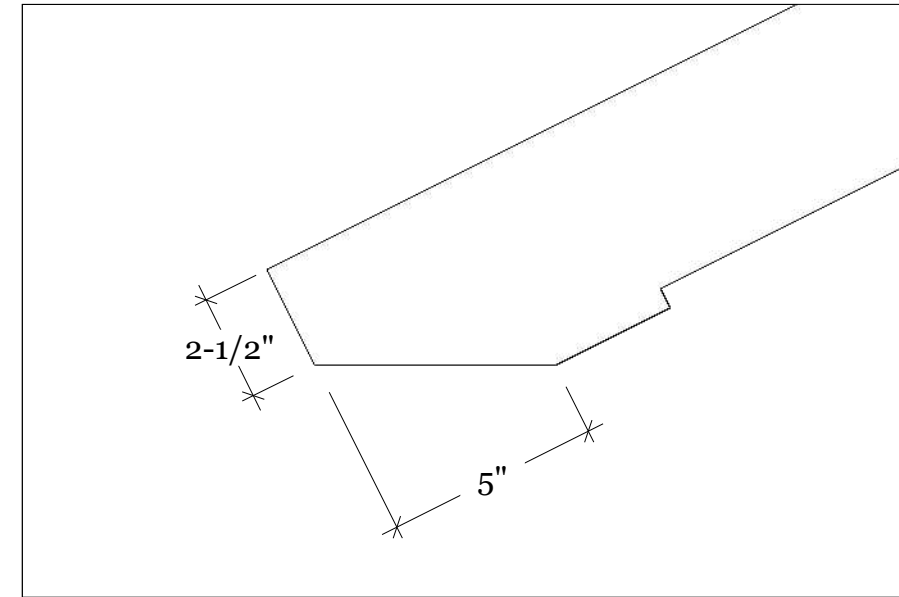
Spring Timber Framing Bluff Kiosks

Drawn By: Chris Landingin + Paul Denison
Revision Date: 03.24.2023

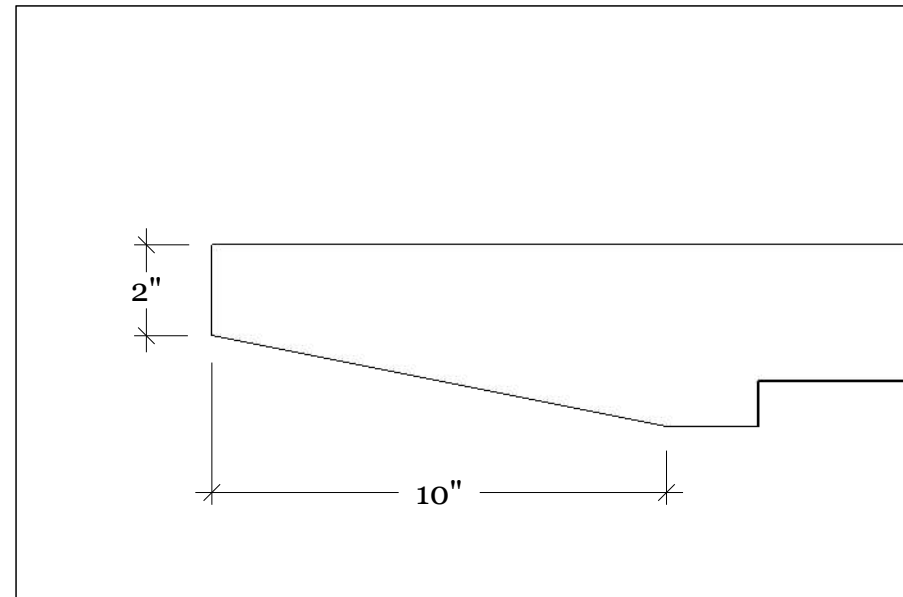




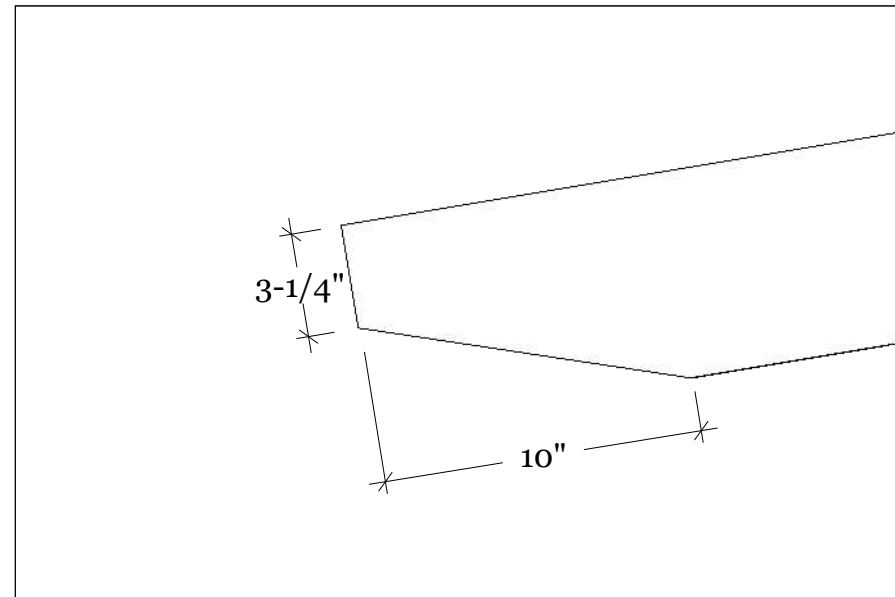
Kiosk A Purlin



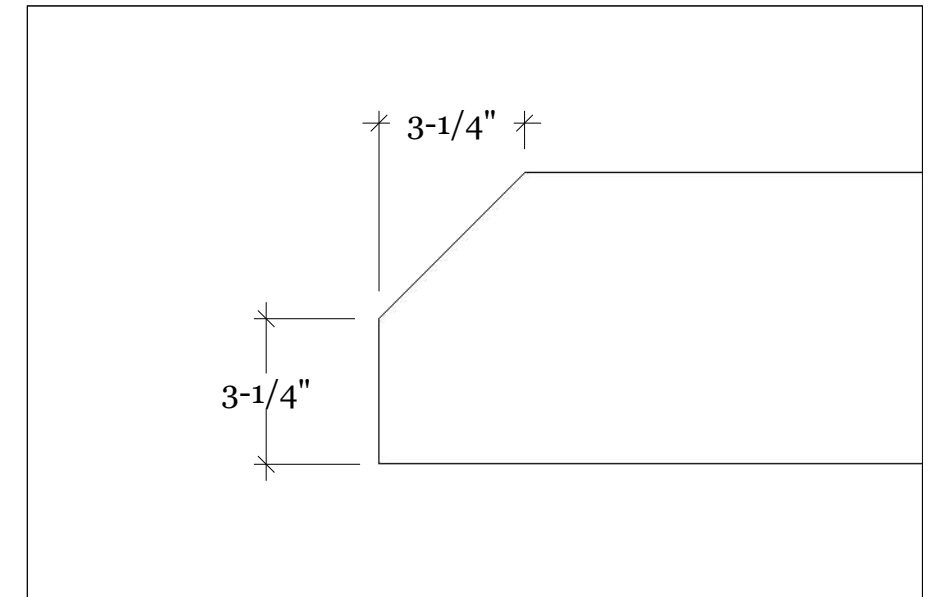
Kiosk A Rafter



Kiosk B Purlin



Kiosk B Rafter



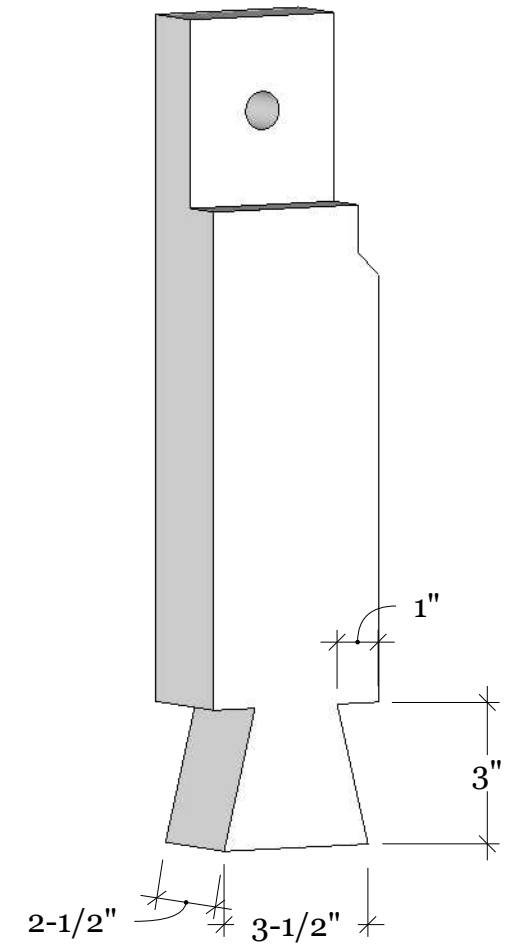
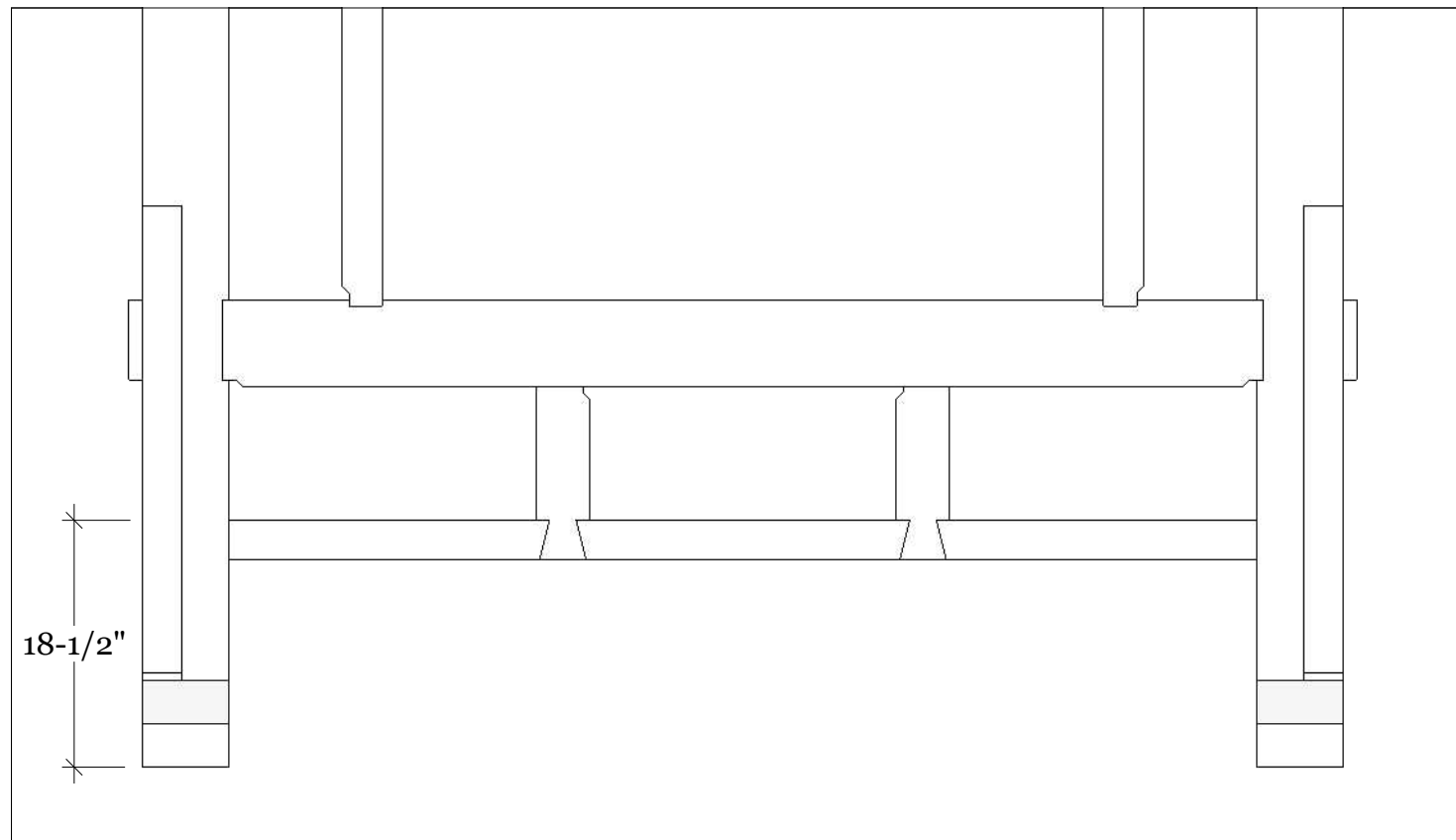
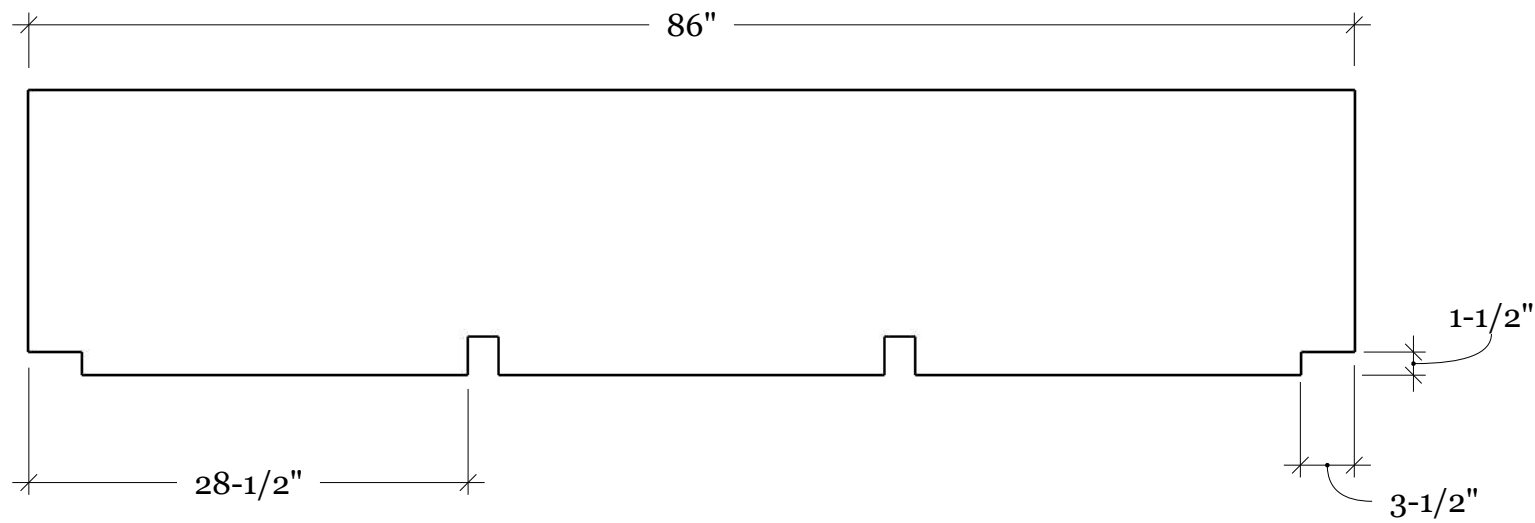
Kiosk B Sill

Tail Details

Spring Timber Framing Bluff Kiosks

Drawn By: Chris Landingin + Paul Denison
Revision Date: 03.24.2023





Bench Details

Spring Timber Framing Bluff Kiosks

Drawn By: Chris Landingin + Paul Denison
Revision Date: 03.24.2023

